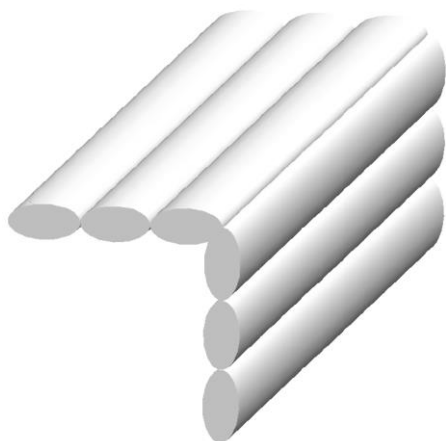


## **IMPORTANT INSTRUCTIONS FOR AIR FENCE**

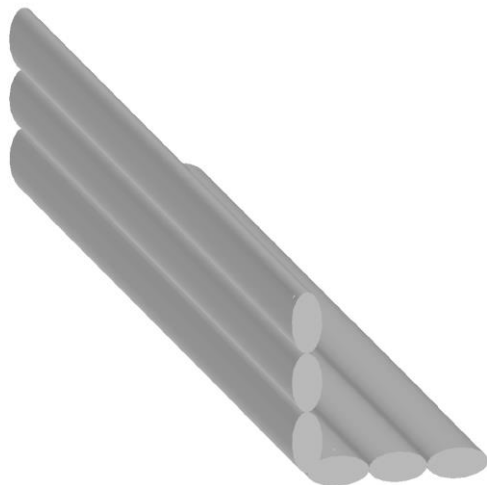
MODULE m. 8,00 x height 1,30 x thickness 1,30

These modules are composed of 2 mattresses each

\* With odd black numeration on **orange background** are the front roof ones



\* With even black numeration on **orange background** are the rear background ones



### **1) PLACING TECHNIQUE ON THE PALLET**

(Size cm. 176 x 114 x h. 130)

**The quantity of completes modules of 8m contained on a pallet is 4 pcs (8 mattresses)**

**The quantity of completes modules of 5m contained on a pallet is 6 pcs (12 mattresses)**

The mattresses with even numeration (back) are placing on a side of the pallet.

The mattresses with odd numeration (front) are placing on the other side.



## 2) UNLOAD PROCEDURE

To unload the pallets is required a forklift with shovels or similar.

## 3) PLACING ON THE GROUND/SNOW AND INFLATATION

The mattresses must be lying on the ground by the following way:

a) placing the mattresses on the ground/snow, being careful to couple the mattresses of the same color (e.g. light grey with even number + light grey with odd number);

The mattress with the odd numeration (with strip) towards the internal part of the slope.

b) Fix the 2 modules with provided rubbers

c)

### **\*PARTERRE USING:**

c1) Mount the 4 fast connectors on the opposite side of the spider's positioning.

c2) Inflate the mattress with the machine.

c3) Mount the valve on the opposite side of the spider's positioning.

See Point C.

**\* Slope Using :**

- c1) Mount the 4 valve on the opposite side off he spider's positioning.
- c2) **Inflate the mattress with the machine.**
- c3) Lock the mattress with other valve
  
- d) Positioning the mattress according to the position chosen
- e) Drill the ground for fitting the support poles
- f) Fit the poles through the ears off he mattress and then insert them in the ground with an hummer

**3 bis) CONNECTION PROCEDURE OF CONTINUOUS POWER FOR FINISH AREA**

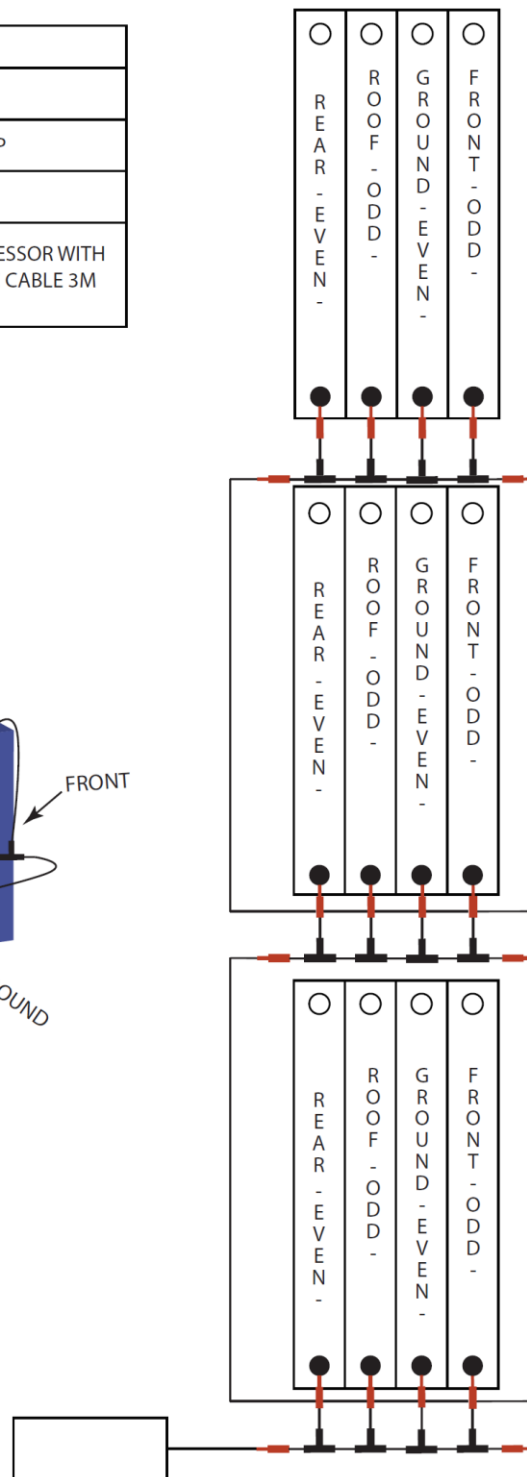
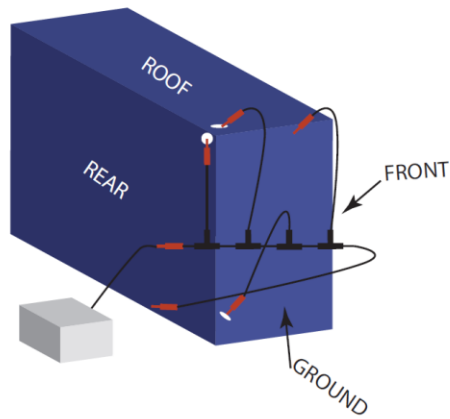
(for grey modules calculate a maximum of 5 modules for each power supply box)  
(for blue modules calculate a maximum of 7 modules for each power supply box)

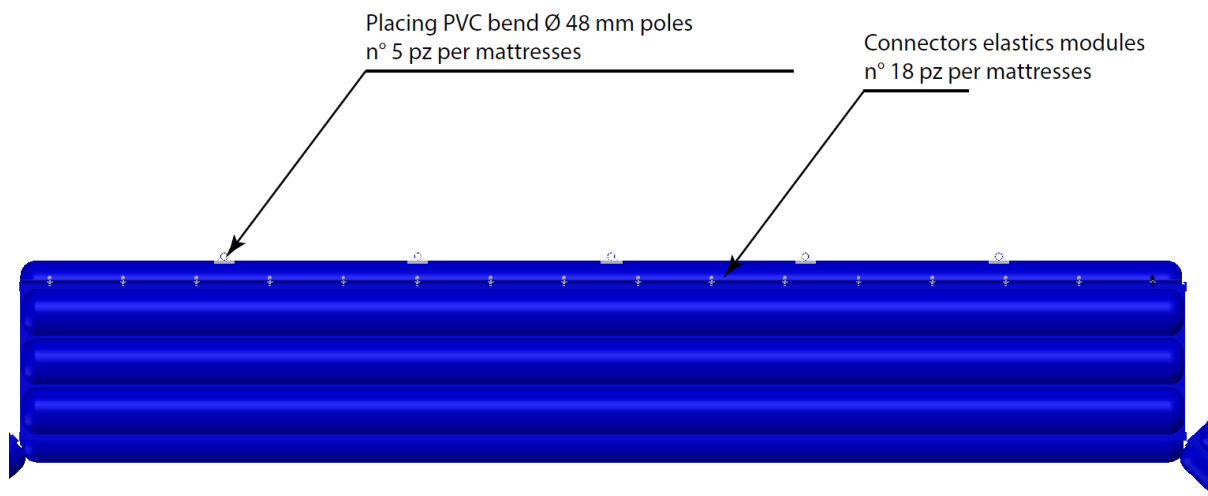
Components of continuous power kit:

- N°1 power supply box with included:
    - N°1 compressor with 3 meters of pneumatic tube and 1 Aquastop connector
    - N°1 electrical extension lead (50 meters long) with industrial sockets 220V..
    - N°1 "3-way" electrical connector
    - N°1 electric-industrial reducer
    - N° 2 (including 1 spare) Aquastop tap
  
  - Iron case, with included:
    - pneumatic tube extensions (8.5 meters long) with 2 Aquastop connectors at the ends (quantity of tubes as the number of finish area mattresses + 1, in order to have 2 spare)
    - "spiders" composed of 4 meters tubes with connectors (n° 6 Acquastop + n° 2 two way).  
Quantity of tubes as the number of finish area mattresses + 1, in ordert o have 1 spare.
  
  - plugs with quick connection (5 for each module, including 1 spare)
- a) Connect compressor to the first module of the row, using its 3m pneumatic tube to be secured to the first "Spider" of the row; the 4 down-tubes of spider will be connected to 4 „plugs with quick connection“
  - b) Connect the free Aquastop connector to the 8,5 m pneumatic tube extension, by means of a 2-way connector. The pneumatic tube extension then will power the next module by the next "spider"
  - c) Once arrived to the last "spider" of the row powered from the box, close the free Aquastop connetcor, using the provided Aquastop tap.

## LEGEND SYMBOLS

●	VALVES
○	PLUGS
┆	ACQUASTOP
	SPIDER
	AIR COMPRESSOR WITH PNEUMATIC CABLE 3M





#### 4) MAINTENANCE AND MANAGEMENT

When the mattresses are inflated, consider the different **thermic condition** (especially in the morning), and if necessary deflate a little bit the mattresses too inflated, to avoid any tears of the “sails”

Check always the pressure of the mattresses, if necessary inflating the deflated ones.

#### 5) DEFLATATION

To deflate the mattress remove the valve, so the air can go out

#### 6) FOLDING (Drawing n° 2)

a) Lay the deflated mattress on the ground, with the number looking to the ground (so it's possible to see it when the mattress will be folded)

b) Dividing the module in 4 ideal parts 8m long (or 5m), start folding the external part on the internal parts.

*(Warning: for the mattresses with the strips, the numbered strip must be on the external side with the number looking the ground; while the strip without number must be on the internal side of the module)*

c) Placing himself on the side with the number (that it always looking the ground), folding the left half on the right half.

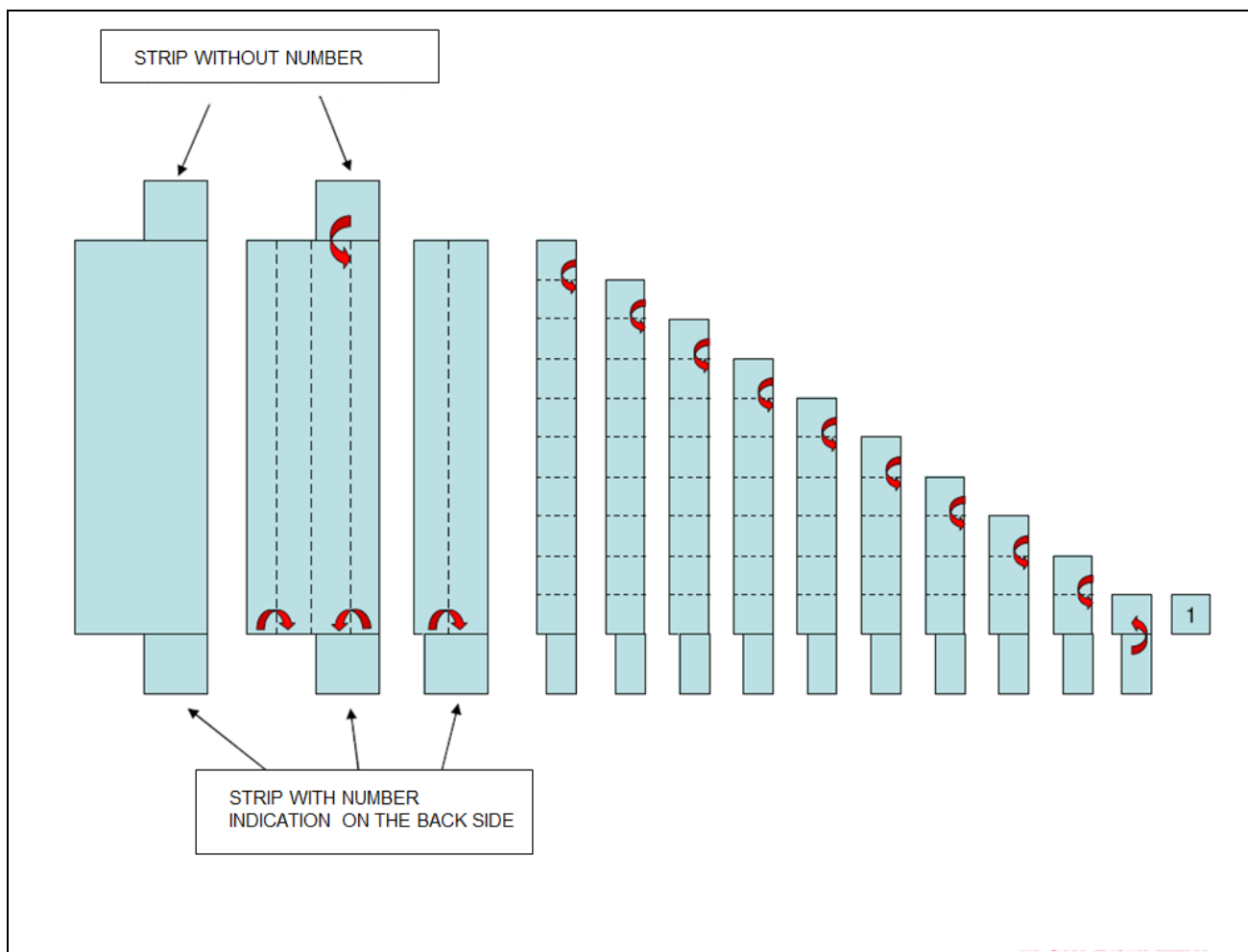
d) Starting of the opposite side of the number, “coil up in a flat way” the mattresses, so it can go out more air possible, considering a start fold of 80cm long (absolutely avoid to roll the mattresses)

e) The folded mattress should have the following approx size:

Lenght cm. 100

Width cm. 70

Height cm. 35



## 7) LOAD OF THE PALLETS

The load of the mattresses on the pallet must be done by hand and very carefully.

Load the mattresses with the odd numeration on a side, and the even ones on the other side, being careful to couple the mattresses of the same color (e.g. light grey with even number + light grey with odd number);

Load the support poles on the apposite pallet.

Collect the fixing rubbers, valves and “plugs with quick connection” in the proper sacks.

**LOAD OF THE PALLETS**



**LISKI SRL**